



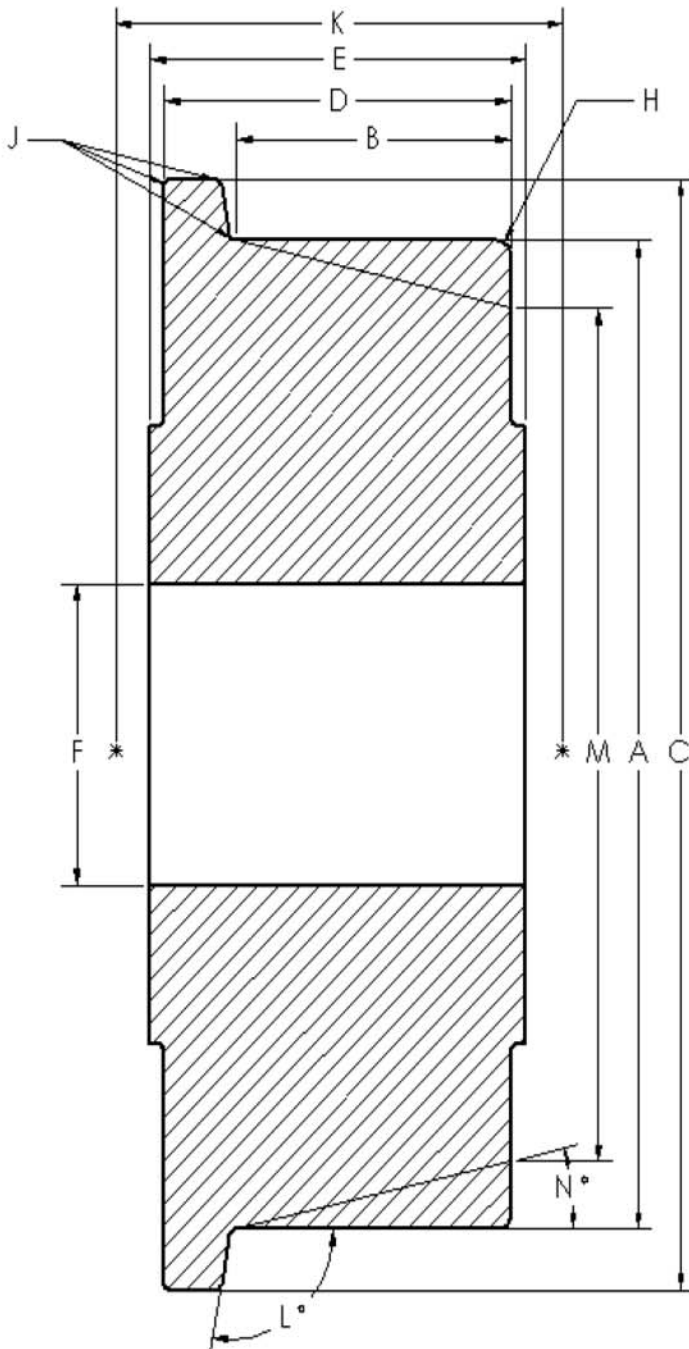
4964 Starr St. SE
 Grand Rapids, MI 49546
 616-241-4519
 sales@advancecaster.com
 www.advancecaster.com

Company Name: _____

Contact: _____

Phone: _____

SINGLE FLANGE Special Sized Wheel (work sheet)



**** REQUIRED DIMENSION**

A **	
B**	
C**	
D**	
E**	
F**	
H (DEFAULT R= A/16)	
J (DEFAULT R.06)	
K (OVER BEARING SPACERS)	
L (DEFAULT IS 100°)	
RUNNING SURFACE	FLAT TAPERED #
M #	
N #	
KEYWAY	YES NO
KEYWAY SIZE	
KEYWAY SETSCREWS	YES NO
SETSCREW SIZE	
BEARING TYPE	ROLLER / BALL / TAPERED
BEARING SIZE	
BEARING SEALS	YES NO
WHEEL MATERIAL	
ZERK FITTING	YES NO
POLYURETHANE	YES NO Durometer Shore
CAPACITY	
TOTAL NEEDED	
NOTES:	